



Astra Track Light

INSTALLATION INSTRUCTIONS

Please read and understand these instructions before installation

This fixture is intended for installation in accordance with the National Electrical Code and local regulations. This fixture must be installed in accordance with your local electrical code/regulations and by a qualified electrician. **INDOOR USE ONLY**

CAUTION: HOT SURFACE. Keep away from curtains and other objects.

WARNING:

- This product must be installed in accordance with applicable local, state, and national electrical codes by a licensed person familiar with the construction and operation of the product and hazards involved.
- This luminaire must be adequately grounded for protection against shock hazards and to assure proper operation.
- Disconnect power before servicing.
- Do not operate in ambient temperatures above +40°C or under -20°C.
- Make sure the supplied voltage is within the voltage range stated on the label.
- The light source contained in this luminaire shall only be replaced by the manufacturer or his service agent or a similar qualified person.



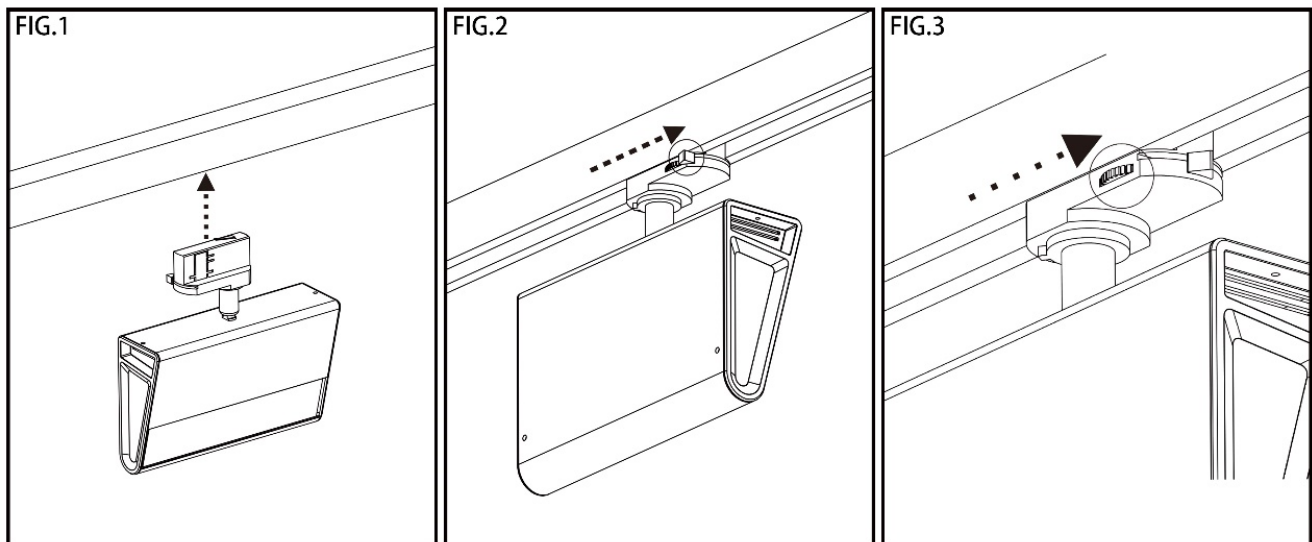
Caution: Risk of electric shock.

- Please install in out of arms reach

Track Light Installation

- Turn off power to the TRACK.
- Insert luminaire into the Track as shown in FIG.1.
- Lock the switching part on both sides of the adaptor/gearbox. (FIG.2)
- Make sure the adaptor/gearbox is attached securely to the track.
- Switch the snoot to the correct channel. (FIG.3)
- Turn the power back on.

TO REMOVE: Turn off power to the TRACK. Switch the snoot to the closed position. Unlock the switching part on both sides of the adaptor/gearbox. Gently pull down on the fixture.



- The following track models can be applied to Astra adaptor

